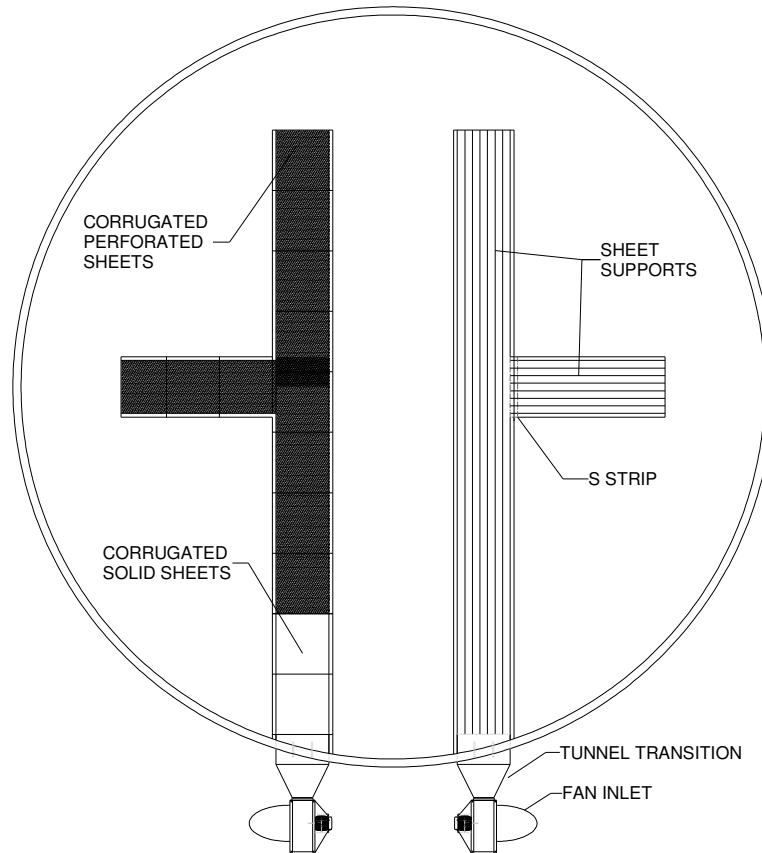


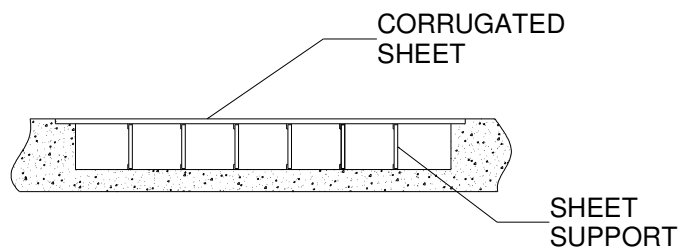
## **Flush Floor Aeration Installation Recommendations**

312 SOUTH HWY. 73, PO BOX 398  
FALLS CITY, NE 68355-0398  
800-500-9777

**NOTE:** These are strictly suggestions for the installation of the flush floor aeration system. There are many methods to get to the same end result, this is just one method. Contractor or installer may have experience with another method.



System Plan View



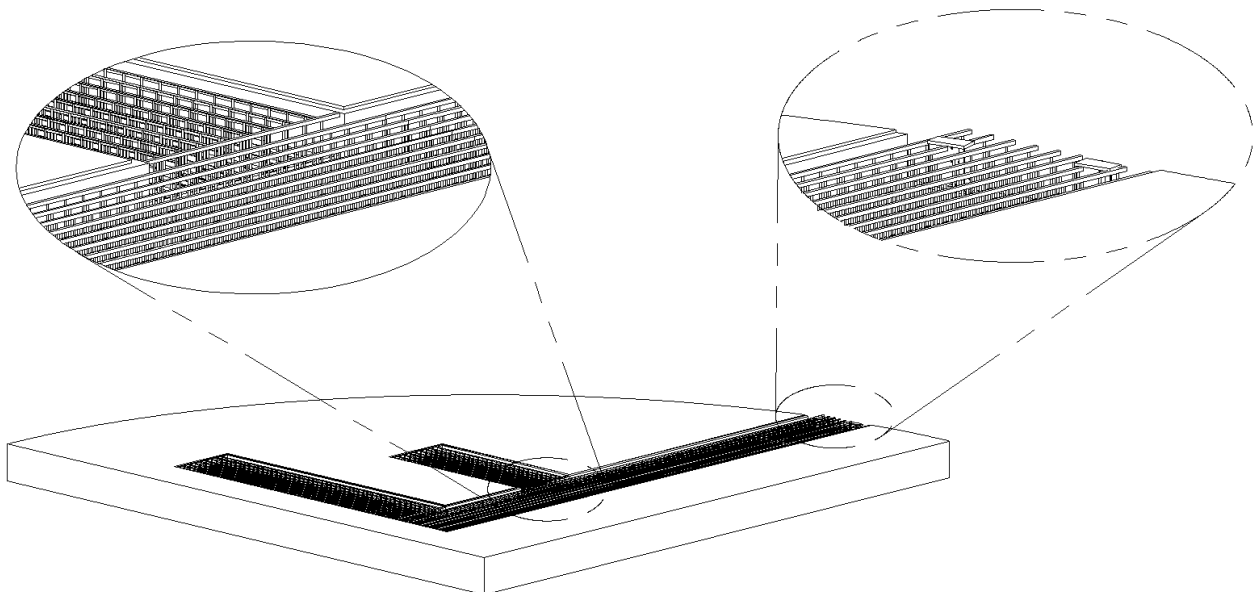
Tunnel Cross Section

## **INSTALL AERATION FLOOR SUPPORTS**

Reference manufacturer's tank aeration drawing for general construction guidelines and details. See also the example on the following page and drawing #12682 on page 7 for additional suggested flush floor support details. Cut ½" stabilizing rod into suitable lengths to join the supports together. This length will depend on the number of supports and the width of the tunnel. Field weld every four feet alternating top and bottom. See "Typical Support Layout" drawing #12682 for details. Contractor or installer may have experience with another cut schedule that works better.

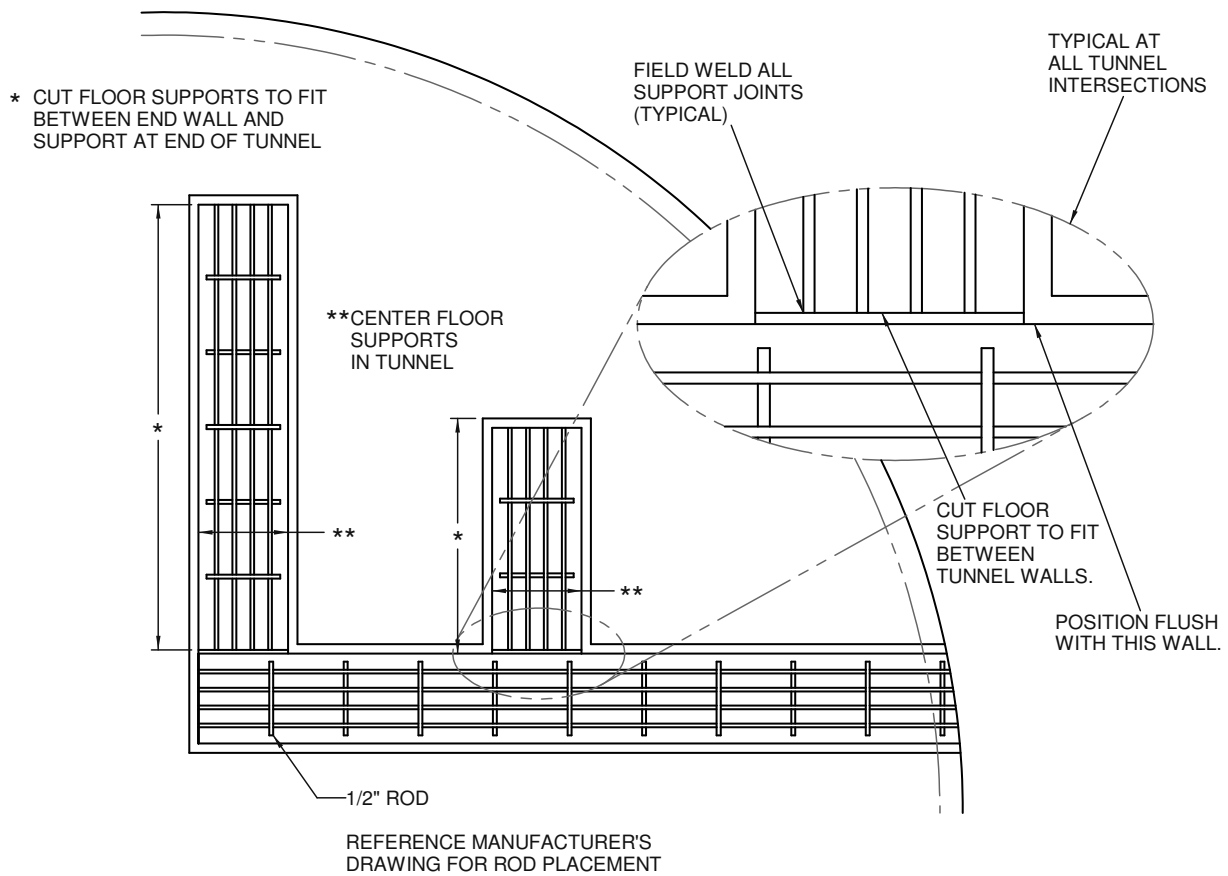
***NOTE: Field weld all support joints.***

***NOTE: Supports will need to be trimmed to fit around the Tunnel Stiffener (if required). DO NOT WELD SUPPORTS TO TUNNEL STIFFENER.***



## FLUSH FLOOR SUPPORT LAYOUT

(Example)

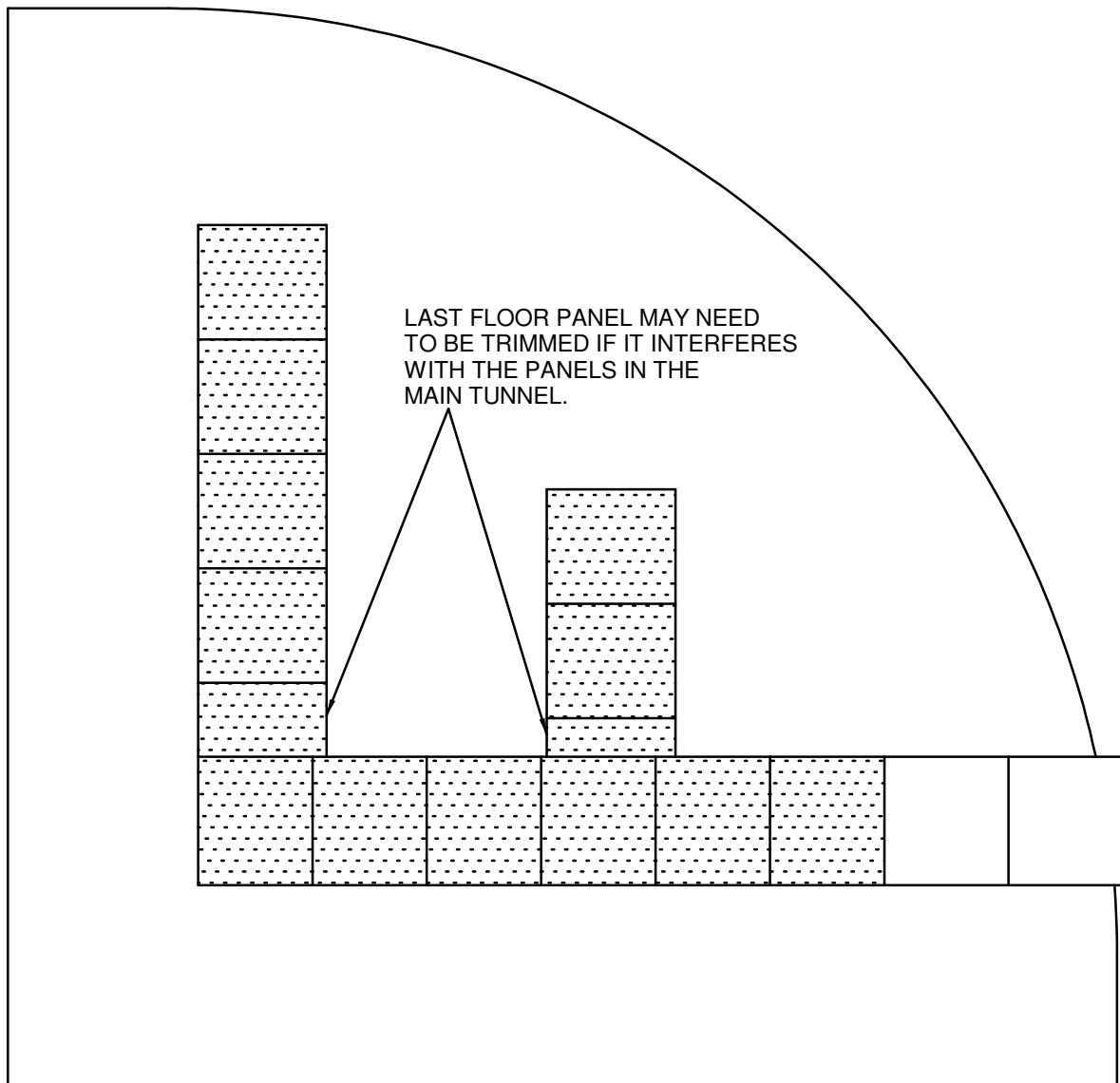


## FLOOR PANEL INSTALLATION

Install floor panels using self drilling screws.

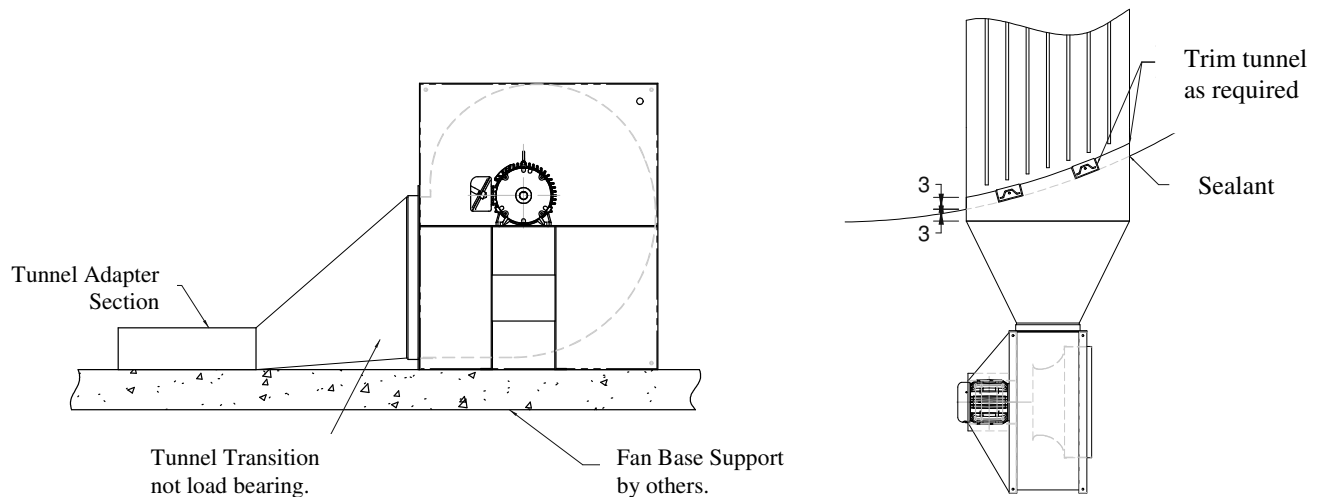
See manufacturer's Steel Tank Aeration drawing and attached drawing #12682 for fastening instruction and S-Strip details & locations.

Some tunnel designs are angled to match bin curvature. Field trimming of floor panel is required in such designs.



## INSTALL TUNNEL TRANSITION AND FAN

Field trim tunnel adapter section as required to clear floor supports and any tunnel stiffeners (see detail below). Once installed, seal tunnel transition to tunnel with tar or other sealing method.



**NOTE:** Tunnel transition and adapter section are not load bearing.  
Consult AIRLANCO Centrifugal Fan Manual for installation and support.